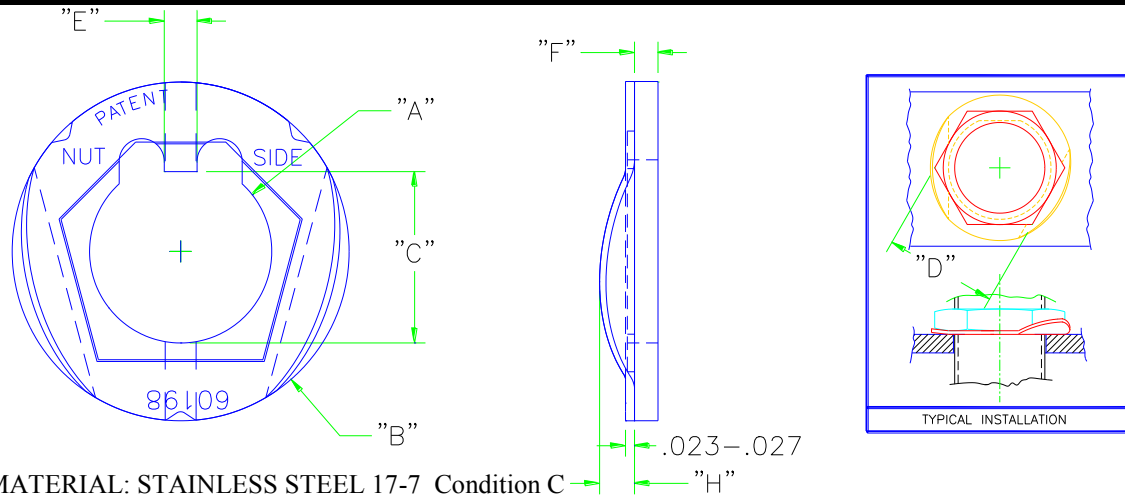


ROD END LOCKING DEVICE

SIMILAR TO NASM 14198: USE NAS 1423 NUTS



MATERIAL: STAINLESS STEEL 17-7 Condition C
Rockwell Hardness Rc 43 min.

CATALOG NUMBER	JSF NUMBER	DASH NO.	"A" +/- .005	"B" +/- .01	"C" +/- .005	"D" NUT FLATS	"E" +/- .005	"F" +/- .005	"H" +/- .015
RL9-E004X	JSFW22A4	4	0.260	0.550	0.206	.428-.440	0.052	0.063	0.08
RL9-F003X	JSFW22A5	5	0.323	0.630	0.266	.490-.502	0.052	0.063	0.08
RL9-G003X	JSFW22A6	6	0.385	0.770	0.316	.553-.565	0.082	0.063	0.08
RL9-J006X	JSFW22A7	7	0.448	0.880	0.376	.615-.627	0.082	0.063	0.10
RL9-K009X	JSFW22A8	8	0.510	0.980	0.441	.740-.752	0.082	0.071	0.10
RL9-L002X	JSFW22A9	9	0.573	1.080	0.484	.863-.877	0.114	0.071	0.13
RL9-M010X	JSFW22A10	10	0.635	1.180	0.546	.986-1.002	0.114	0.071	0.13
RL9-N014X	JSFW22A12	12	0.760	1.380	0.668	1.009-1.127	0.114	0.080	0.16
RL9-P003X	JSFW22A14	14	0.885	1.590	0.782	1.297-1.315	0.142	0.090	0.16
RL9-R015X	JSFW22A16	16	1.010	1.790	0.905	1.481-1.502	0.142	0.090	0.16
RL9-S007X	JSFW22A18	18	1.135	2.000	1.015	1.605-1.627	0.174	0.112	0.17
RL9-T009X	JSFW22A20	20	1.260	2.200	1.141	1.728-1.752	0.174	0.112	0.18
RL9-Z035X	JSFW22A22	22	1.385	2.400	1.241	1.851-1.877	0.236	0.112	0.20
RL9-Z036X	JSFW22A24	24	1.510	2.610	1.366	1.975-2.002	0.236	0.125	0.20
RL9-Z037X	JSFW22A26	26	1.635	2.810	1.482	2.098-2.127	0.236	0.125	0.20
RL9-Z038X	JSFW22A28	28	1.760	3.010	1.594	2.222-2.252	0.298	0.125	0.20
RL9-Z039X	JSFW22A30	30	1.885	3.220	1.719	2.345-2.377	0.298	0.125	0.20
RL9-Z040X	JSFW22A32	32	2.010	3.420	1.844	2.595-2.627	0.298	0.125	0.20
RL9-Z041X	JSFW22A34	34	2.135	3.620	1.960	2.719-2.752	0.298	0.125	0.23
RL9-Z042X	JSFW22A36	36	2.260	3.830	2.085	2.843-2.877	0.298	0.125	0.23

<p>Saint Technologies, Inc. 10 North Locust P.O. Box 66 Shannon, IL 61078</p> <p>Phone: 815.864.3035 Fax: 815.864.3134 CAGE 60198</p>	<p>TITLE: REALLOCK™, ROD END LOCKING WASHER SIMILAR TO NASM 14198 FOR: NAS 1423 NUTS</p> <p>TORQUE LIMIT: 50 FT. LBS.</p>	<p>CHART NUMBER</p> <p>2018-01</p>
		<p>Rev. A 05/04/2005 ECO S0043</p>

THIS DRAWING AND INFORMATION HEREIN IS THE EXCLUSIVE PROPERTY OF SAINT TECHNOLOGIES, INC. AND UNAUTHORIZED USE OR REPRODUCTION THEREOF IS PROHIBITED.